

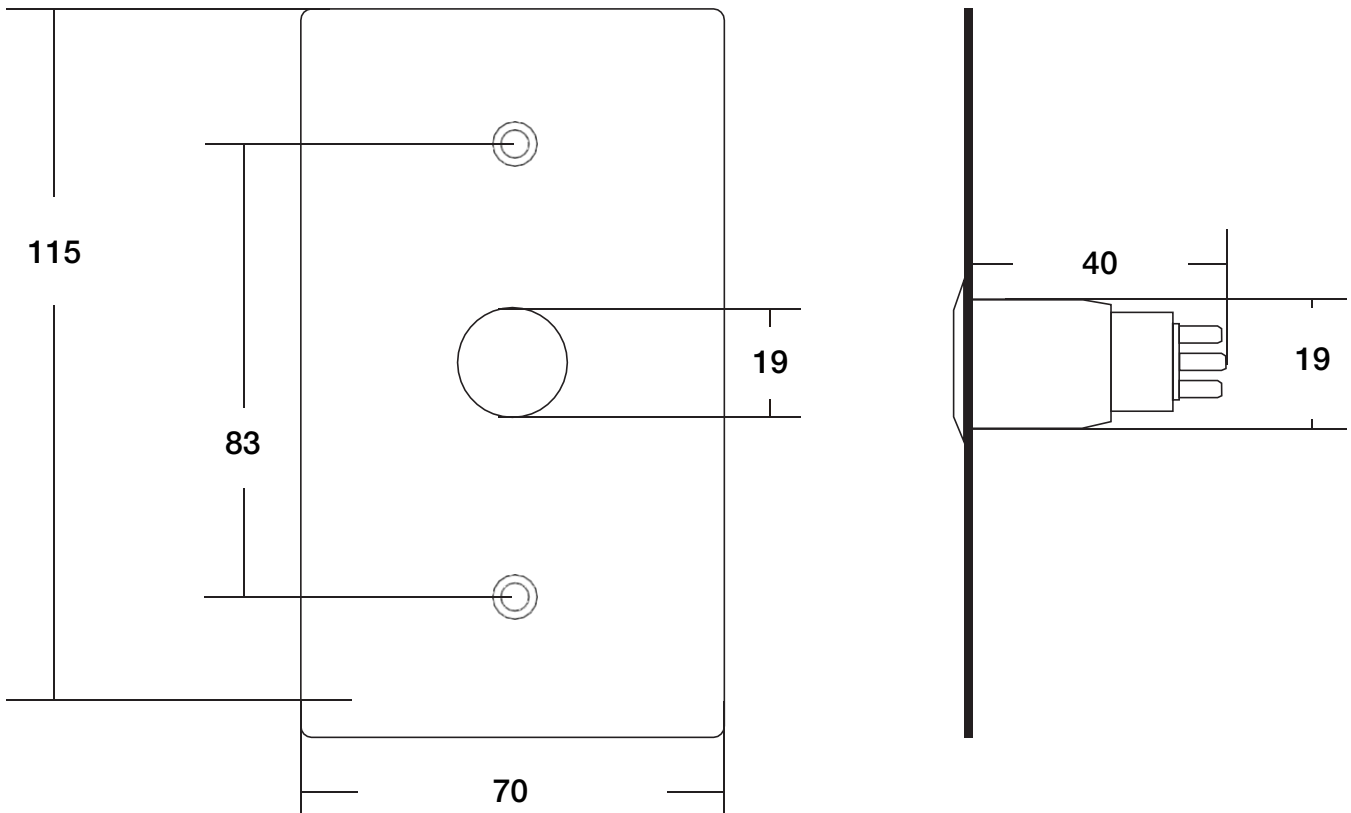
## Specification

## IP65

|                        |                       |
|------------------------|-----------------------|
| <b>Model</b>           | NEPAWCLS              |
| <b>Dimensions</b>      | 115L x 70W x 40H (mm) |
| <b>Contact Rating</b>  | 3A/125-250VAC         |
| <b>Power</b>           | 12VDC or 24VDC        |
| <b>Output Contact</b>  | NO/NC/COM             |
| <b>Mechanical Life</b> | 100,000 Tests         |
| <b>Weight</b>          | 0.122kg               |

|                              |  |
|------------------------------|--|
| <b>Button Colour</b>         | Silver   |
| <b>Operating Temperature</b> | -20°C ~ +55°C                                  |
| <b>Suitable Humidity</b>     | 0-95% (relative humidity)                      |
| <b>Installation Diameter</b> | 19mm   |
| <b>LED Colour</b>            | Default Blue, Optional Green/Red               |
| <b>Surface Mount</b>         | Optional NEASMB Mounting Box                   |
| <b>Panel</b>                 | 1.7mm thick 304 stainless steel (wire drawing) |

## Diagram



## Warranty

Neptune Security Products warrants that this product to be free from defects in materials and workmanship for a period of three (3) years from date of purchase. In the event of failure, Neptune Security Products will replace or repair the product at its sole discretion, and will not be responsible for any loss or damages in association with uses of its products. This warranty does not apply in the event of accidental damage and improper use, abuse, misuse, non approved purpose or act of God.